

High Efficient Fanless Touch POS Terminal and Panel PC

High performance touch Panel PC with small footprint base

X-POS 708 / X-PPC 708



Audio



X-PPC 708
Fanless, silent, reliable and compact size design



Support VESA mount

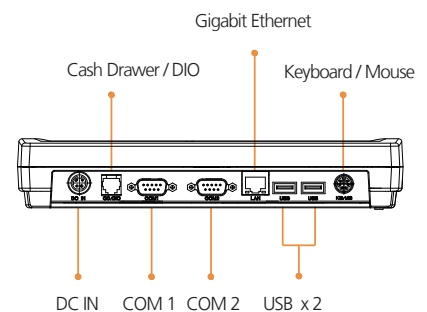
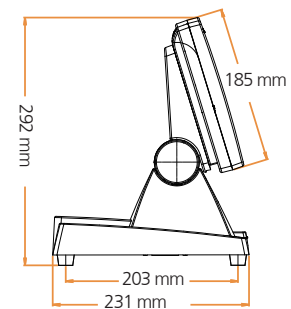
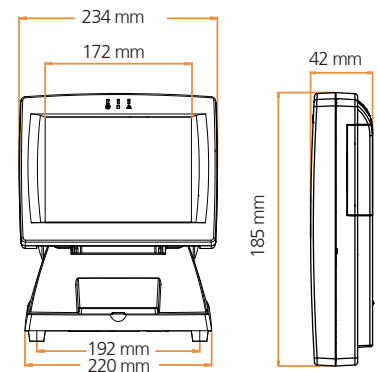


Smart interactive platform application in Japan

Specifications

Model Name	X-POS 708	X-PPC 708	
Main Board	CPU	Intel® Atom™ Processor N270 1.6GHz	
	Core Logic	Intel 945GSE / ICH7-M	
	System Memory	SO-DIMM DDR2, 128MB up to 2GB	
	OS Support	Windows® XP / XPe, WEPOS, WinCE*, POSReady, Vista, Linux*	
Display	TFT LCD Size	8.4"	
	Brightness	220 nits	
	Resolution	800 x 600	
	Touch Screen	5 wire resistive type	
	Tilt Angle	17°~73°	
Storage Device	DOM	1 x IDE	
	Compact Flash	1 x slot compact flash typell	
I/O Ports	Serial	2 x RS-232 COM 1 : RS-232/422/485, DB-9, Pin9 w/ RI/5V/12V Selectable by BIOS COM 2 : DB-9, Pin9 w/ RI/5V/12V Selectable by BIOS	
	USB	2 x USB 2.0	
	PS/2 Keyboard/ Mouse	1 x Mini-DIN	
	LAN	1 x Gigabit Ethernet by RJ-45, Support Wake on LAN	
	Cash Drawer	1 x RJ11 (12VDC)	
	Audio	2W Speaker x 2	
	VGA	1 x Internal pin header	
	Wall mount	Support VESA Mount	
	Power Input	External adapter,80Watt, 12VDC input	
	Color	Black	
Others	Material	Plastic / Aluminum	
	EMC& Safety Compliance	FCC / CE / WEEE / RoHS	
	Weight	2.9 Kgs	1.66 Kgs
	Dimension WxDxH (mm)	234x231x292	234 x 42 x 185
	Operating Temperature	0°C ~ 35°C	
	Storage Temperature	-20°C ~ 60°C	
	Humidity	20% - 80% RH, non-condensing	
	Wall mount	Support VESA Mount	
	Power Input	External adapter,80Watt, 12VDC input	
	Color	Black	

* Please contact supplier for detail information.



Ordering information

Main Unit

Part No.	Description
XPOS72-8B-A16G	Fanless Touch POS Terminal w/ 8.4" TFT LCD, Intel® ATOM™ N270 1.6GHz CPU
XPPC72-8B-A16G	Fanless Touch Panel PC w/8.4" TFT LCD, Intel® ATOM™ N270 1.6GHz CPU

Optional Accessories

Part No.	Description
A0400834	MSR, 3 Tracks, PS/2 Type
A0400833	MSR, 3 Tracks & i-Button, PS/2 Type
A0400135	Customer display: VFD Attached, 20 columns x 2 lines, RS-232 Type
A0400335	Customer display: VFD Pole, 20 columns x 2 lines, RS-232 Type
A0400264	Customer display: LCD Pole, 30 columns x 2 lines, RS-232 Type
20600018	Compact Flash: 512MB
20600005	Compact Flash: 1GB
20600023	Compact Flash: 2GB
20600024	Compact Flash: 4GB
20600033	Compact Flash: 8GB
20900001	OS License: Windows XP Professional, English Version
20900002	OS License: WEPOS, English Version
20900021	OS License: Windows Embedded POSReady, English Version

Part No.	Description
20300021	Memory: DDR2-667, 512MB, 200PIN, SO-DIMM
20300023	Memory: DDR2-667, 1GB, 200PIN, SO-DIMM
20300024	Memory: DDR2-667, 2GB, 200PIN, SO-DIMM
20200023	2.5" Slim Type HD: 160GB SATA Type

Specifications are subject to change without notice. Issue Date: 2010/01

EBN
EBN Technology Corp.

EBN Technology Corp.

10F, No. 90, Sec. 1, Sintai 5th Rd., Sijih City,
Taipei County 221, Taiwan
TEL : +886-2-2696 9292
FAX : +886-2-2696 9393
E-mail : sales@ebn-pos.com
www.ebn-pos.com