

# The Latest Dual Core Fanless Panel PC

High performance & power saving touch Panel PC empower high technique operation application

**X-PPC 850**



Easy maintenance



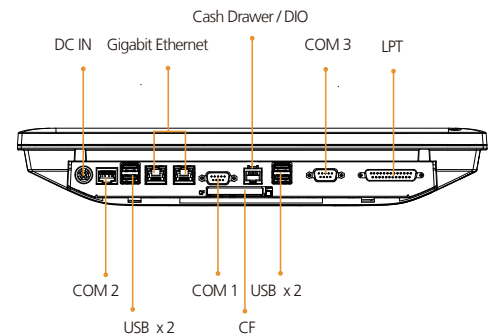
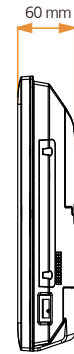
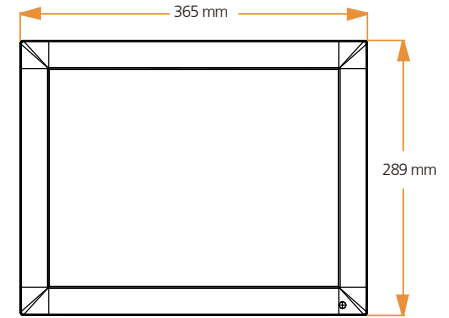
Rich configuration & support dual Gigabit Ethernet



Fanless, silent, reliable compact size design, front panel IP 65 protection

## Specifications

<b>Model Name</b>	X-PPC 850	
<b>Main Board</b>	CPU	Intel® Atom™ Processor D510
	Core Logic	Intel® ICH8-M
	System Memory	1 x 200 Pin DDR2 SO-DIMM Socket, 512MB up to 2GB
	OS Support	Windows® XP/ XPe/ WES, WEPOS, POSReady, WinCE*, Windows® 7*, Linux*, DOS 6.22
<b>Display</b>	TFT LCD Size	15"
	Brightness	250 nits
	Resolution	1024 x 768
	Touch Screen	5 wire resistive type
<b>Storage Device</b>	DOM	1 x IDE, 2 x SATA
	HDD	1 x 2.5" HDD Drive Bay
	Compact Flash	1 x slot compact flash typell
<b>I/O Ports</b>	Serial	6 x RS-232 Pin9 ,w/ RI/5V/12V Selectable by BIOS COM 1 : RS-232/422/485, DB-9 COM 2 : RS232 , RJ45 10 pins COM 3 : RS232 , DB-9 COM 4 : RS232 , Internal pin header for Customer Display COM 5 : RS232 , Internal 15-Pin header with PS/2 COM 6 : RS232 , Internal pin header
	Parallel	1 x DB25
	USB	4 x USB 2.0
	LAN	2 x Gigabit Ethernet by RJ-45 , Support Wake on LAN
	Cash Drawer	1 x RJ11 (24VDC)
	Audio	2W Speaker x 2
	Expansion	1 x Mini PCIe
	Wall mount	Support VESA Mount
	Power Input	External adapter, 135Watt, 19VDC input
	UPS Power Backup(Optional)	Support Smart Battery 4P1S backup function
<b>Others</b>	Color	Black / Silver
	Material	Plastic / Aluminum
	EMC& Safety Compliance	FCC / CE / WEEE / RoHS / CCC / CB
	Front Panel Protection	IP 65 compliance
	Dimension	365W x 60D x 289H (mm)
	Weight	4.78kgs
	Operating Temperature	0°C ~ 35°C
	Storage Temperature	-20°C ~ 60°C
	Humidity	20% - 80% RH, non-condensing



\* Please contact supplier for detail information.

## Ordering information

### Main Unit

Part No.	Description
XPPC80-5B-D510	Fanless Touch Panel PC w/ 15" TFT LCD, Intel® ATOM™ D510 CPU

### Optional Accessories

Part No.	Description
Z0500002	MSR-Front Type, 3 Tracks, PS/2 Type
Z0500004	MSR-Side Type, 3 Tracks, PS/2 Type & Finger Print, USB Type
Z0500005	MSR-Side Type, 3 Tracks, PS/2 Type & i-Button, PS/2 Type
Z0500006	MSR-Side Type, 3 Tracks, PS/2 Type & RFID, USB Type
Z0500007	MSR-Side Type, 3 Tracks, PS/2 Type & i-Button, RFID, USB Type
A0400884	Battery:14.4V, 2400mA, 4P1S Cell
A0400807	Wireless LAN: IEEE 802.11 B/G, USB Type
20600022	Compact Flash: 1GB
20600034	Compact Flash: 2GB
20600035	Compact Flash: 4GB
20600033	Compact Flash: 8GB
20900001	OS License: Windows XP Professional, English Version
20900002	OS License: WEPOS, English Version
20900001	OS License: Windows XP Professional, English Version
20900002	OS License: WEPOS, English Version
20900021	OS License: Windows Embedded POSReady, English Version

Part No.	Description
20300021	Memory: DDR2-667, 512MB, 200PIN, SO-DIMM
20300023	Memory: DDR2-667, 1GB, 200PIN, SO-DIMM
20300024	Memory: DDR2-667, 2GB, 200PIN, SO-DIMM
20200028	2.5" Slim Type HDD: 160GB SATA II Type

Specifications are subject to change without notice. Issue Date: 2010 / 10

**EBN**  
EBN Technology Corp.

### EBN Technology Corp.

10F, No. 90, Sec. 1, Sintai 5th Rd., Sijhih City,  
Taipei County 221, Taiwan  
TEL : +886-2-2696 9292  
FAX : +886-2-2696 9393  
E-mail : sales@ebn-pos.com  
www.ebn-pos.com